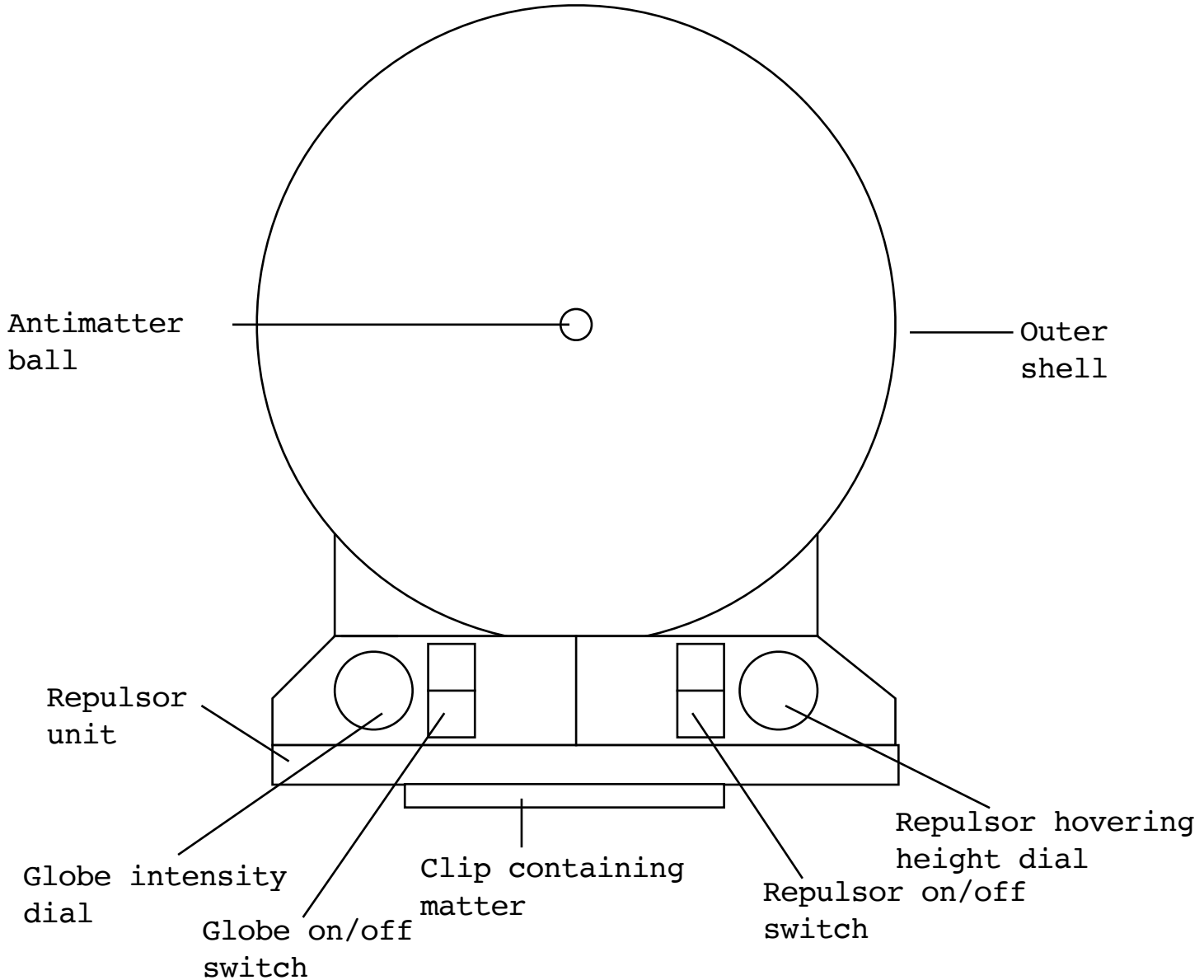


Lightning globe

The lightning globe is used to light up specific areas.



The lightning globe is a good example of what the Imperial technology can produce. Not too long ago the only lighting there was were flammers which were both short lived and messy. The lightning globe uses a special ball of antimatter suspended in vacuum. Small bits of matter are flung into the ball at high temperatures. This produces the lightning flashes from which it gets its name. The outer shell is used to disperse the flashes. To be sure that the outer shell doesn't interfere with the globe's effectiveness, it only disperses the flashes that actually come into contact with it. As long as there is a supply of matter, the globe's can shine for a near infinite period of time, needing the replacement of the antimatter ball every 5 years or so. At maximum intensity the matter clip will run out in about 2 years.